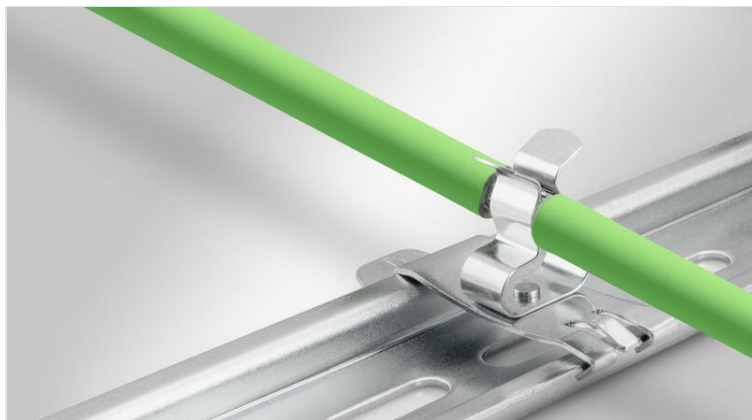


# EMC shield clamps for 35 mm top hat DIN rail, pluggable

with or without integrated strain relief



EMC shield clamps are used, where the shield of cables must be connected to the earth potential. They are easy to use and effective in earthing single cable shields.

When using types with integrated strain relief cables can be fixed via the cable jacket using cable ties. Thus strain relief in accordance with EN 62444 is achieved. We also offer EMC shield clamps with double strain relief function acc. to PROFINET installation guidelines.

Due to its special design the clamping ranges of the MSKL are very large while the dimensions are comparatively small. (Example: MSKL 3-12, assembled with a 12 mm cable shield: width 26.25 mm).

The staggered arrangement of the extremely slim shield clamp SFS|SKL maximises space utilisation. Suitable for applications that require EMC shielding close to connection points or controller inputs.

The shield clamps can be easily attached by snapping them onto 35 mm top hat DIN rails.

## Specifications

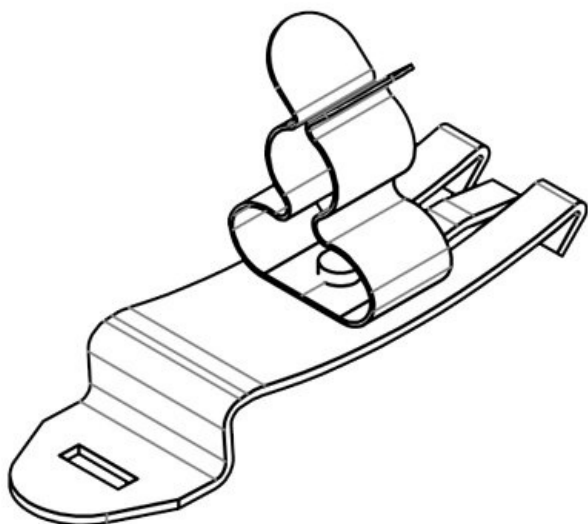
<b>Material</b>	Shield clamp: Spring steel, zinc plated Shield bracket: Mild steel, galvanically zinc plated Snap foot: Spring steel
<b>Properties</b>	vibration proof
<b>Mounting options</b>	Snap-in

## Advantages & Benefits

- Partially with integrated strain relief
- Large contact area
- Shield contact and strain relief separated
- Quick assembly without tools
- The spring design requires no adjustments and will permanently maintain contact to the cable shield
- Designed for high density applications
- Shock and vibration resistant, maintenance free
- Integrated double strain relief function acc. to PROFINET installation guidelines

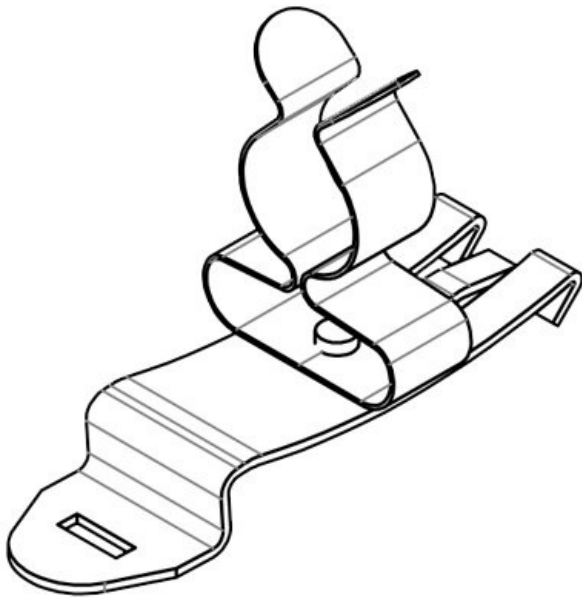
## Product Types & Sizes

SF|MSKL 3-12



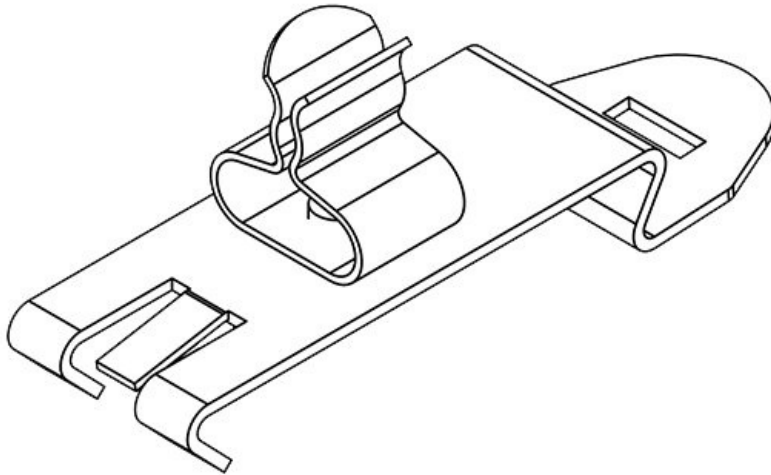
Part No.	<b>37616</b>	Length	<b>50,3 mm</b>
EAN	<b>4251269316</b>	Width	<b>15 mm</b>
	<b>937</b>	Height	<b>26 mm</b>
Package quantity	<b>10</b>		
No. of shield clamps	<b>1</b>		
For max. no. of cables	<b>1</b>		
Min. shield diam.	<b>3 mm</b>		
Max. shield diam.	<b>12 mm</b>		

SF|MSKL 8-18



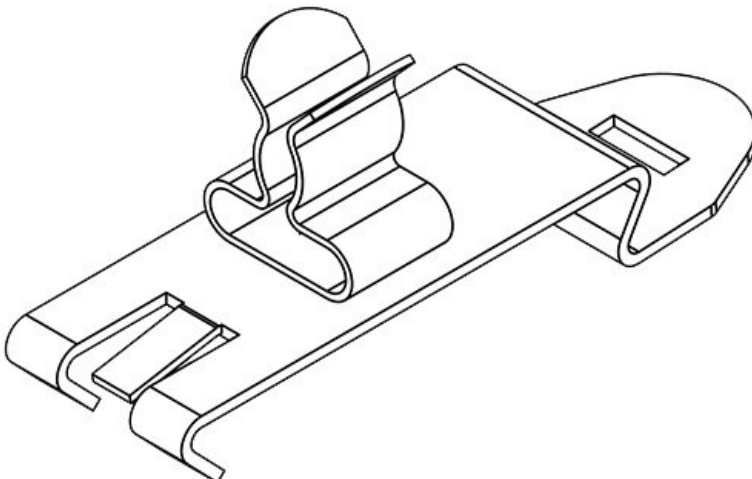
Part No.	<b>37618</b>	Length	<b>50,3 mm</b>
EAN	<b>4251269316</b>	Width	<b>20 mm</b>
	<b>944</b>	Height	<b>32,2 mm</b>
Package quantity	<b>10</b>		
No. of shield clamps	<b>1</b>		
For max. no. of cables	<b>1</b>		
Min. shield diam.	<b>8 mm</b>		
Max. shield diam.	<b>18 mm</b>		

SF|SKL 1.5-3



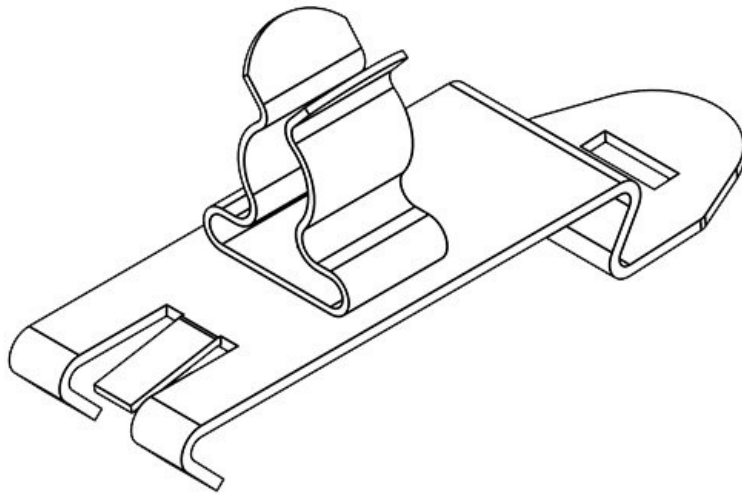
Part No.	<b>36243</b>	Length	<b>50,4 mm</b>
EAN	<b>4251269302</b>	Width	<b>14 mm</b>
	<b>329</b>	Height	<b>20 mm</b>
Package quantity	<b>10</b>		
No. of shield clamps	<b>1</b>		
For max. no. of cables	<b>1</b>		
Min. shield diam.	<b>1,5 mm</b>		
Max. shield diam.	<b>3 mm</b>		

SF|SKL 3-6



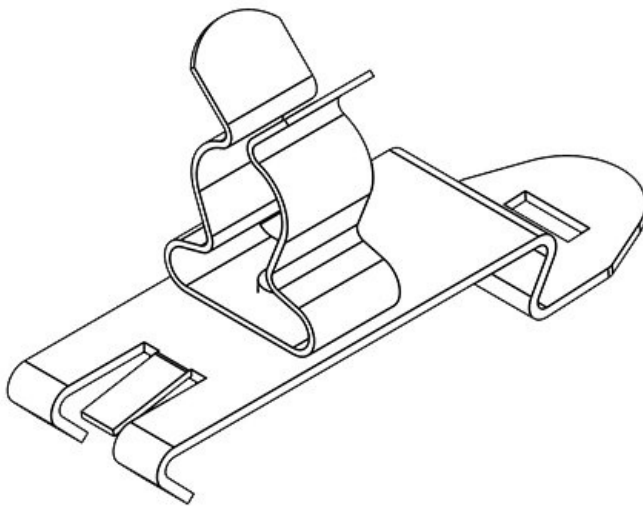
Part No.	<b>36244</b>	Length	<b>50,4 mm</b>
EAN	<b>4251269302</b>	Width	<b>14 mm</b>
	<b>336</b>	Height	<b>20,5 mm</b>
Package quantity	<b>10</b>		
No. of shield clamps	<b>1</b>		
For max. no. of cables	<b>1</b>		
Min. shield diam.	<b>3 mm</b>		
Max. shield diam.	<b>6 mm</b>		

SF|SKL 6-8



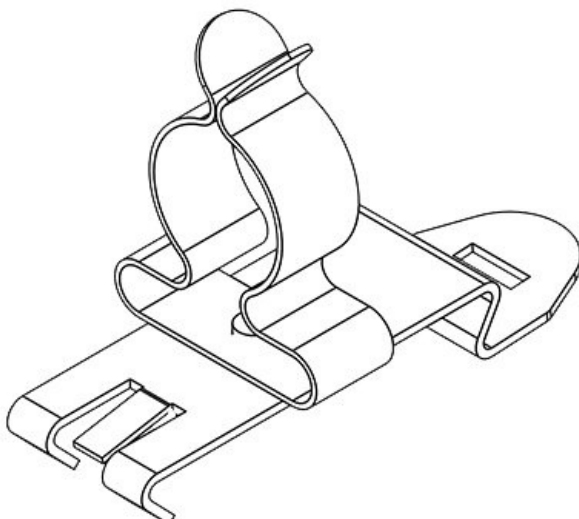
Part No.	<b>36245</b>	Length	<b>50,4 mm</b>
EAN	<b>4251269302</b>	Width	<b>14 mm</b>
	<b>343</b>	Height	<b>21,9 mm</b>
Package quantity	<b>10</b>		
No. of shield clamps	<b>1</b>		
For max. no. of cables	<b>1</b>		
Min. shield diam.	<b>6 mm</b>		
Max. shield diam.	<b>8 mm</b>		

SF|SKL 8-11



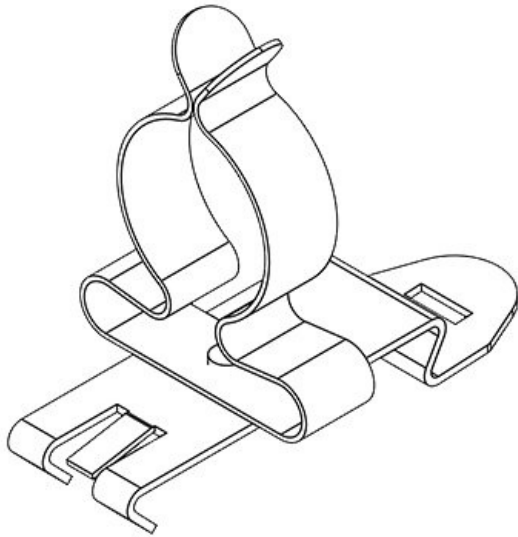
Part No.	<b>36246</b>	Length	<b>50,4 mm</b>
EAN	<b>4251269302</b>	Width	<b>14 mm</b>
	<b>350</b>	Height	<b>26,9 mm</b>
Package quantity	<b>10</b>		
No. of shield clamps	<b>1</b>		
For max. no. of cables	<b>1</b>		
Min. shield diam.	<b>8 mm</b>		
Max. shield diam.	<b>11 mm</b>		

SF|SKL 11-17



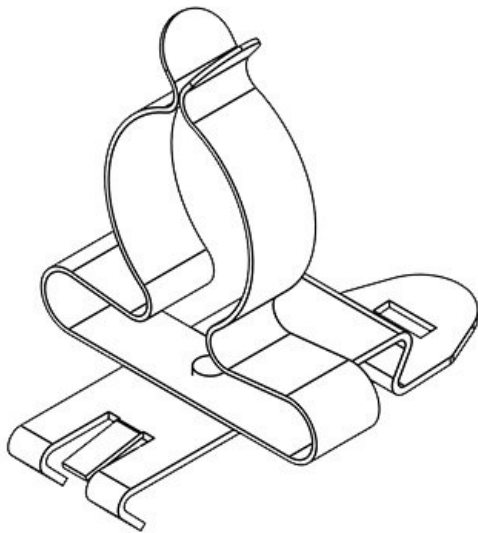
Part No.	<b>36247</b>	Length	<b>50,4 mm</b>
EAN	<b>4251269302</b>	Width	<b>21 mm</b>
	<b>367</b>	Height	<b>33,9 mm</b>
Package quantity	<b>10</b>		
No. of shield clamps	<b>1</b>		
For max. no. of cables	<b>1</b>		
Min. shield diam.	<b>11 mm</b>		
Max. shield diam.	<b>17 mm</b>		

SF|SKL 17-22



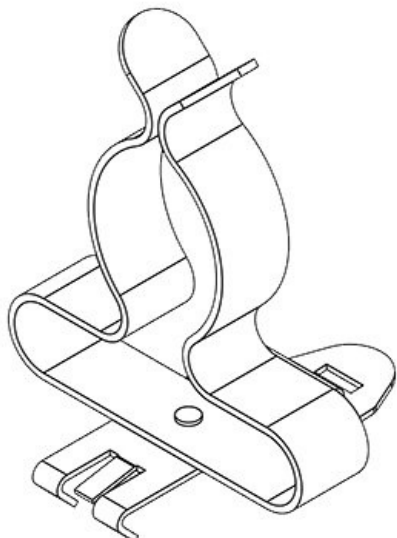
Part No.	<b>36248</b>	Length	<b>50,4 mm</b>
EAN	<b>4251269302</b>	Width	<b>26,5 mm</b>
	<b>374</b>	Height	<b>41,4 mm</b>
Package quantity	<b>10</b>		
No. of shield clamps	<b>1</b>		
For max. no. of cables	<b>1</b>		
Min. shield diam.	<b>17 mm</b>		
Max. shield diam.	<b>22 mm</b>		

SF|SKL 22-30



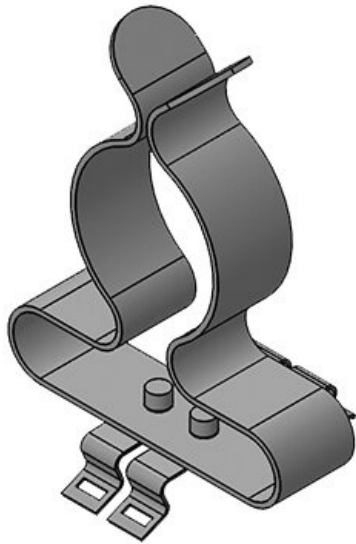
Part No.	<b>36249</b>	Length	<b>50,4 mm</b>
EAN	<b>4251269302</b>	Width	<b>34,5 mm</b>
	<b>381</b>	Height	<b>45,8 mm</b>
Package quantity	<b>10</b>		
No. of shield clamps	<b>1</b>		
For max. no. of cables	<b>1</b>		
Min. shield diam.	<b>22 mm</b>		
Max. shield diam.	<b>30 mm</b>		

SF|SKL 30-38



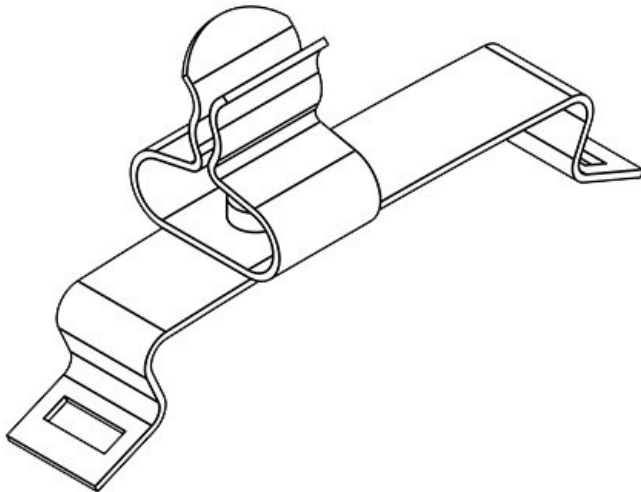
Part No.	<b>36250</b>	Length	<b>50,4 mm</b>
EAN	<b>4251269302</b>	Width	<b>46,5 mm</b>
	<b>398</b>	Height	<b>68 mm</b>
Package quantity	<b>10</b>		
No. of shield clamps	<b>1</b>		
For max. no. of cables	<b>1</b>		
Min. shield diam.	<b>30 mm</b>		
Max. shield diam.	<b>38 mm</b>		

SF|SKL 38-48



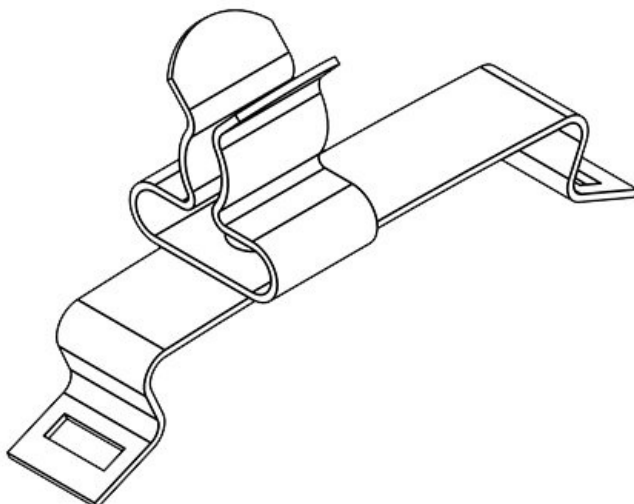
Part No.	<b>36252</b>	Length	<b>44 mm</b>
EAN	<b>4251269302</b>	Width	<b>48,5 mm</b>
	<b>411</b>	Height	<b>77,5 mm</b>
Package quantity	<b>10</b>		
No. of shield clamps	<b>1</b>		
For max. no. of cables	<b>1</b>		
Min. shield diam.	<b>38 mm</b>		
Max. shield diam.	<b>48 mm</b>		

SFS|SKL 1.5-3



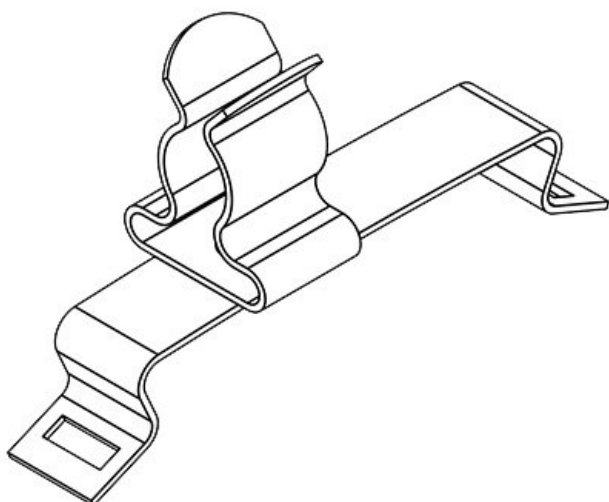
Part No.	<b>36810</b>	Length	<b>43,4 mm</b>
EAN	<b>4251269304</b>	Width	<b>11,8 mm</b>
	<b>873</b>	Height	<b>21,5 mm</b>
Package quantity	<b>10</b>		
No. of shield clamps	<b>1</b>		
For max. no. of cables	<b>1</b>		
Min. shield diam.	<b>1,5 mm</b>		
Max. shield diam.	<b>3 mm</b>		

SFS|SKL 3-6



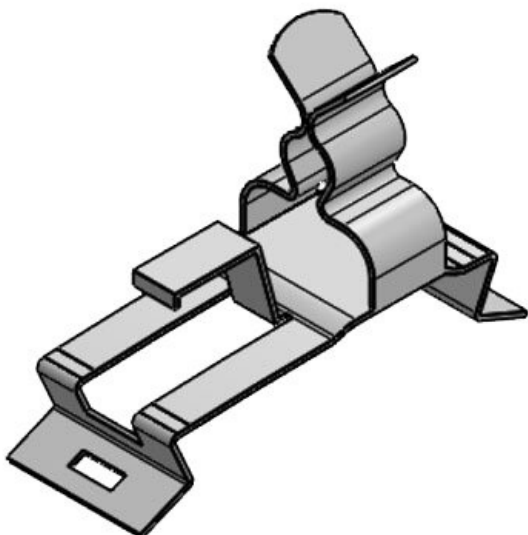
Part No.	<b>36815</b>	Length	<b>43,4 mm</b>
EAN	<b>4251269304</b>	Width	<b>11,8 mm</b>
	<b>880</b>	Height	<b>22,2 mm</b>
Package quantity	<b>10</b>		
No. of shield clamps	<b>1</b>		
For max. no. of cables	<b>1</b>		
Min. shield diam.	<b>3 mm</b>		
Max. shield diam.	<b>6 mm</b>		

SFS|SKL 6-8



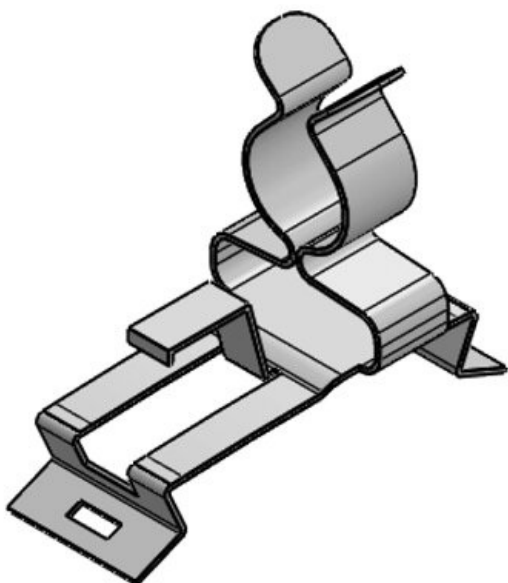
Part No.	<b>36820</b>	Length	<b>43,4 mm</b>
EAN	<b>4251269304</b>	Width	<b>11,8 mm</b>
	<b>897</b>	Height	<b>23,6 mm</b>
Package quantity	<b>10</b>		
No. of shield clamps	<b>1</b>		
For max. no. of cables	<b>1</b>		
Min. shield diam.	<b>6 mm</b>		
Max. shield diam.	<b>8 mm</b>		

SFZ-M|MSKL 3-12



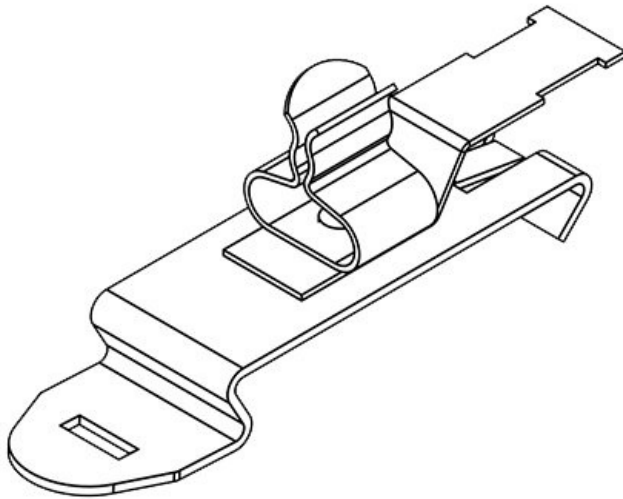
Part No.	<b>37620</b>	Max. shield diam.	<b>12 mm</b>
EAN	<b>4251269316</b>	Length	<b>43,4 mm</b>
	<b>951</b>	Width	<b>15 mm</b>
Package quantity	<b>10</b>	Height	<b>29,3 mm</b>
No. of shield clamps	<b>1</b>	Mounting height	<b>20 mm</b>
Strain relief (acc. to EN 62444)	<b>1</b>		
For max. no. of cables	<b>1</b>		
Min. shield diam.	<b>3 mm</b>		

SFZ-M|MSKL 8-18



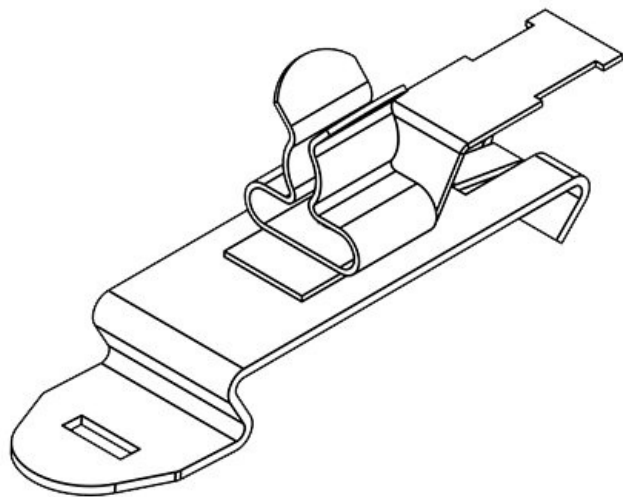
Part No.	<b>37622</b>	Max. shield diam.	<b>18 mm</b>
EAN	<b>4251269316</b>	Length	<b>61,4 mm</b>
	<b>968</b>	Width	<b>20 mm</b>
Package quantity	<b>10</b>	Height	<b>32,7 mm</b>
No. of shield clamps	<b>1</b>		
Strain relief (acc. to EN 62444)	<b>1</b>		
For max. no. of cables	<b>1</b>		
Min. shield diam.	<b>8 mm</b>		

SFZ|SKL 1.5-3



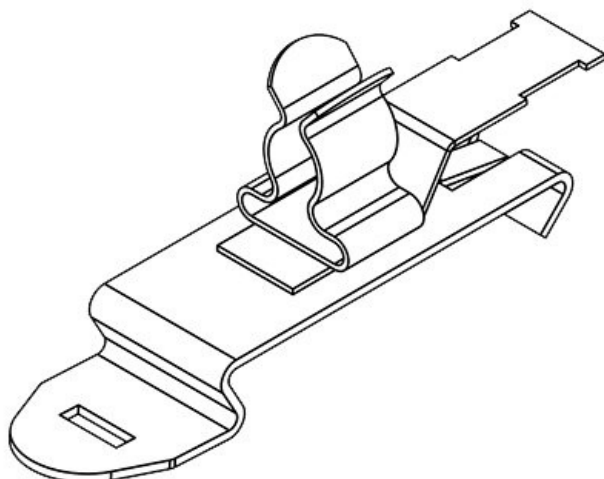
Part No.	<b>36850</b>	Max. shield diam.	<b>3 mm</b>
EAN	<b>4251269304</b>	Length	<b>56,9 mm</b>
Package quantity	<b>10</b>	Width	<b>14 mm</b>
No. of shield clamps	<b>1</b>	Height	<b>20,3 mm</b>
Strain relief (acc. to EN 62444)	<b>1</b>		
For max. no. of cables	<b>1</b>		
Min. shield diam.	<b>1,5 mm</b>		

SFZ|SKL 3-6



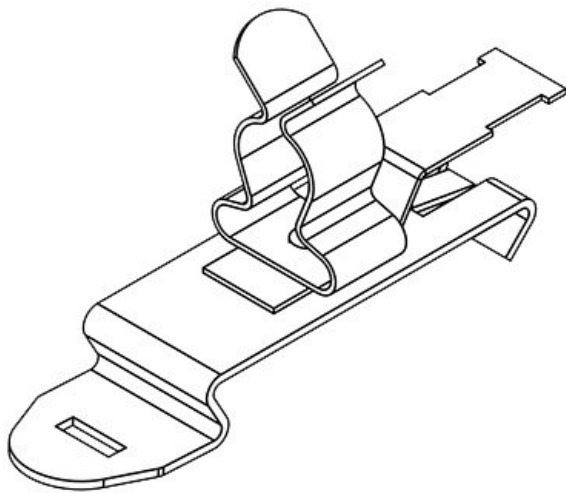
Part No.	<b>36855</b>	Max. shield diam.	<b>6 mm</b>
EAN	<b>4251269304</b>	Length	<b>56,9 mm</b>
Package quantity	<b>10</b>	Width	<b>14 mm</b>
No. of shield clamps	<b>1</b>	Height	<b>21 mm</b>
Strain relief (acc. to EN 62444)	<b>1</b>		
For max. no. of cables	<b>1</b>		
Min. shield diam.	<b>3 mm</b>		

SFZ|SKL 6-8



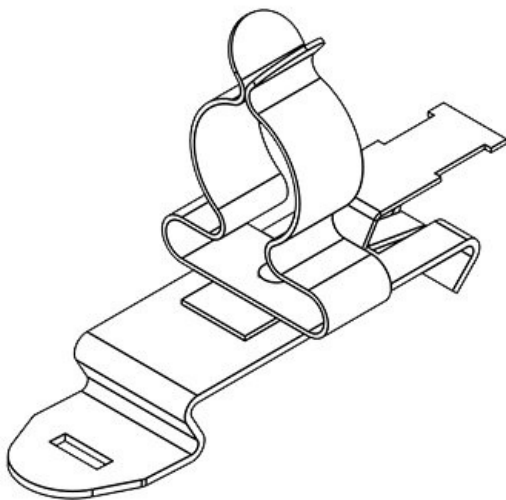
Part No.	<b>36860</b>	Max. shield diam.	<b>8 mm</b>
EAN	<b>4251269304</b>	Length	<b>56,9 mm</b>
Package quantity	<b>10</b>	Width	<b>14 mm</b>
No. of shield clamps	<b>1</b>	Height	<b>22,4 mm</b>
Strain relief (acc. to EN 62444)	<b>1</b>		
For max. no. of cables	<b>1</b>		
Min. shield diam.	<b>6 mm</b>		

SFZ|SKL 8-11



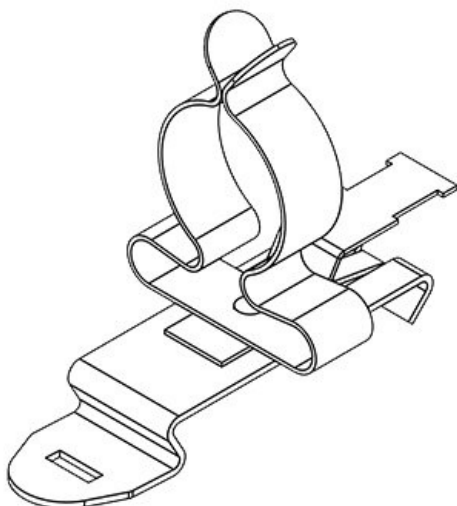
Part No.	<b>36865</b>	Max. shield diam.	<b>11 mm</b>
EAN	<b>4251269304</b>	Length	<b>56,9 mm</b>
Package quantity	<b>10</b>	Width	<b>14 mm</b>
No. of shield clamps	<b>1</b>	Height	<b>27,4 mm</b>
Strain relief (acc. to EN 62444)	<b>1</b>		
For max. no. of cables	<b>1</b>		
Min. shield diam.	<b>8 mm</b>		

SFZ|SKL 11-17



Part No.	<b>36870</b>	Max. shield diam.	<b>17 mm</b>
EAN	<b>4251269304</b>	Length	<b>71,8 mm</b>
Package quantity	<b>10</b>	Width	<b>21 mm</b>
No. of shield clamps	<b>1</b>	Height	<b>34,4 mm</b>
Strain relief (acc. to EN 62444)	<b>1</b>		
For max. no. of cables	<b>1</b>		
Min. shield diam.	<b>11 mm</b>		

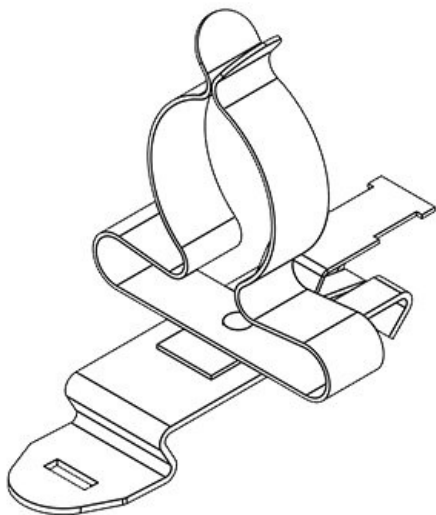
SFZ|SKL 17-22



Part No.	<b>36875</b>	Max. shield diam.	<b>22 mm</b>
EAN	<b>4251269304</b>	Length	<b>71,8 mm</b>
Package quantity	<b>10</b>	Width	<b>26,5 mm</b>
No. of shield clamps	<b>1</b>	Height	<b>41,9 mm</b>
Strain relief (acc. to EN 62444)	<b>1</b>		
For max. no. of cables	<b>1</b>		
Min. shield diam.	<b>17 mm</b>		

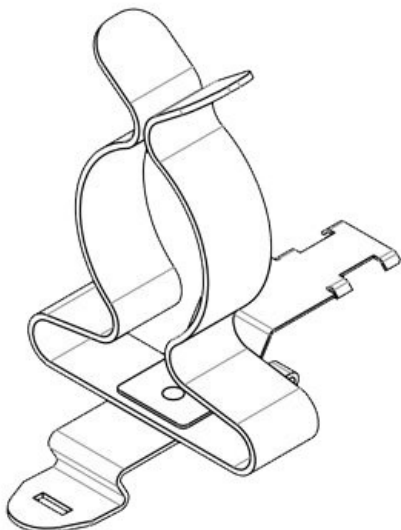


## SFZ|SKL 22-30



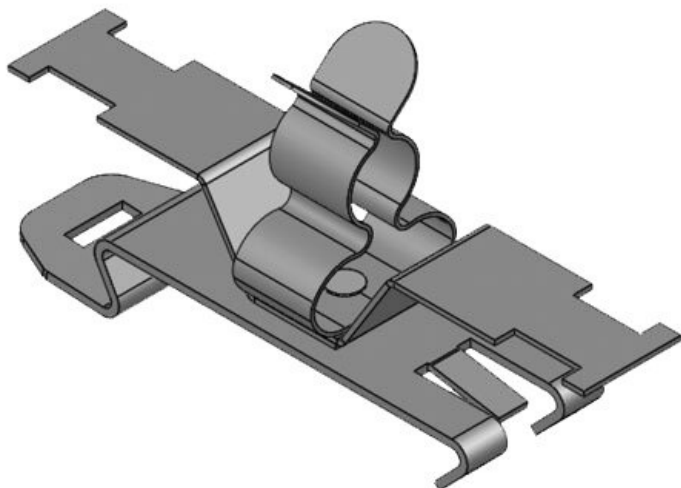
Part No.	<b>36880</b>	Max. shield diam.	<b>30 mm</b>
EAN	<b>4251269304</b>	Length	<b>71,8 mm</b>
Package quantity	<b>10</b>	Width	<b>35 mm</b>
No. of shield clamps	<b>1</b>	Height	<b>46 mm</b>
Strain relief (acc. to EN 62444)	<b>1</b>		
For max. no. of cables	<b>1</b>		
Min. shield diam.	<b>22 mm</b>		

## SFZ|SKL 30-38



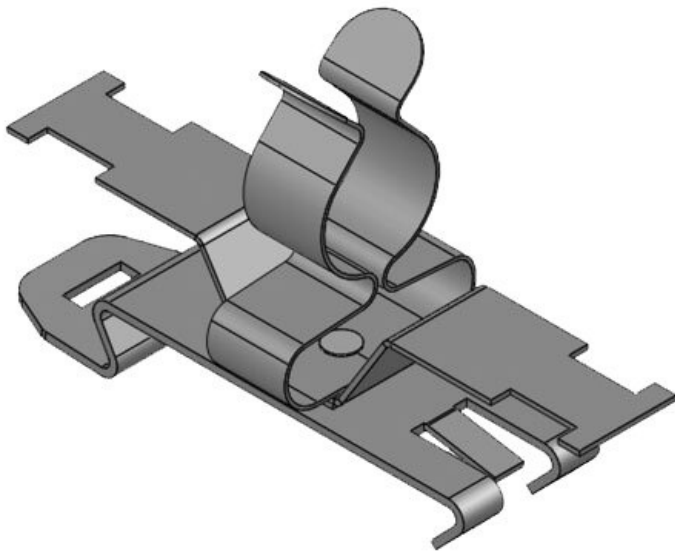
Part No.	<b>36885</b>	Max. shield diam.	<b>38 mm</b>
EAN	<b>4251269319</b>	Length	<b>71,8 mm</b>
Package quantity	<b>10</b>	Width	<b>46,5 mm</b>
No. of shield clamps	<b>1</b>	Height	<b>68 mm</b>
Strain relief (acc. to EN 62444)	<b>1</b>		
For max. no. of cables	<b>1</b>		
Min. shield diam.	<b>30 mm</b>		

## SF2Z-M|MSKL 3-12



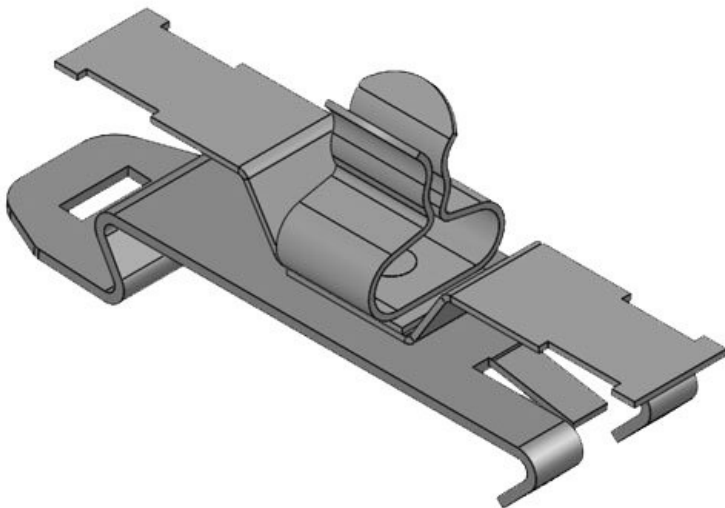
Part No.	<b>37620.150</b>	Min. shield diam.	<b>3 mm</b>
EAN	<b>4251269321</b>	Max. shield diam.	<b>12 mm</b>
Package quantity	<b>10</b>	Width	<b>14,9 mm</b>
Length	<b>59 mm</b>	Height	<b>28,4 mm</b>
Strain relief (acc. to EN 62444)	<b>1</b>	Mounting height	<b>21,5 mm</b>
No. of shield clamps	<b>1</b>		
For max. no. of cables	<b>1</b>		

SF2Z-M|MSKL 8-18



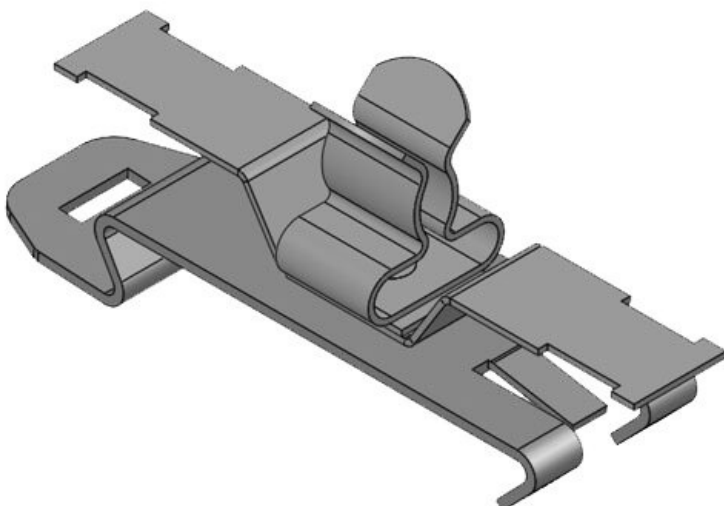
Part No.	<b>37622.150</b>	Min. shield diam.	<b>8 mm</b>
EAN	<b>4251269321</b>	Max. shield diam.	<b>18 mm</b>
Package quantity	<b>10</b>	Width	<b>19,7 mm</b>
Length	<b>59 mm</b>	Height	<b>34,7 mm</b>
Strain relief (acc. to EN 62444)	<b>1</b>	Mounting height	<b>27,7 mm</b>
No. of shield clamps	<b>1</b>		
For max. no. of cables	<b>1</b>		

SF2Z|SKL 1.5-3



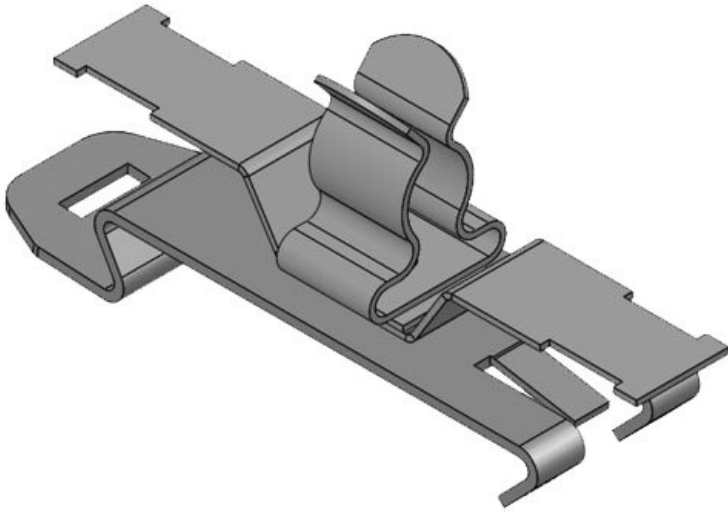
Part No.	<b>36850.150</b>	Max. shield diam.	<b>3 mm</b>
EAN	<b>4251269321</b>	Length	<b>54,5 mm</b>
Package quantity	<b>10</b>	Width	<b>14 mm</b>
No. of shield clamps	<b>1</b>	Height	<b>20,8 mm</b>
Strain relief (acc. to EN 62444)	<b>1</b>	Mounting height	<b>13,9 mm</b>
For max. no. of cables	<b>1</b>		
Min. shield diam.	<b>1,5 mm</b>		

SF2Z|SKL 3-6



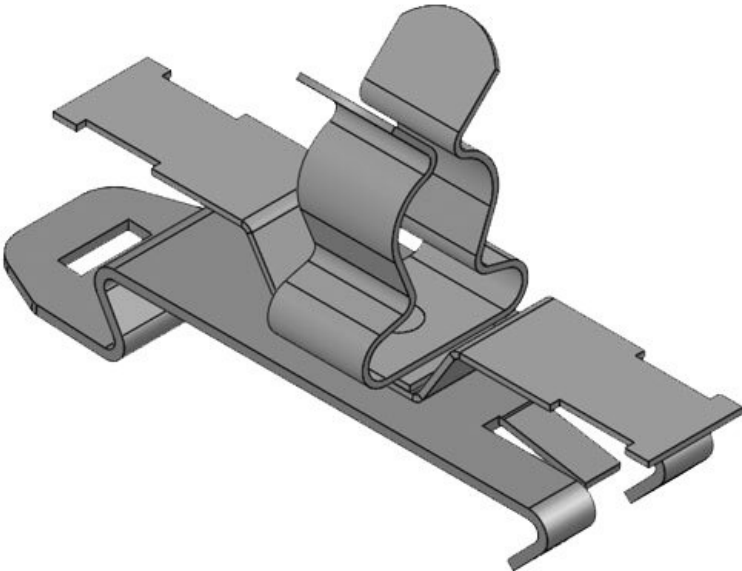
Part No.	<b>36855.150</b>	Max. shield diam.	<b>6 mm</b>
EAN	<b>4251269321</b>	Length	<b>54,5 mm</b>
Package quantity	<b>10</b>	Width	<b>14 mm</b>
No. of shield clamps	<b>1</b>	Height	<b>21,4 mm</b>
Strain relief (acc. to EN 62444)	<b>1</b>	Mounting height	<b>14,5 mm</b>
For max. no. of cables	<b>1</b>		
Min. shield diam.	<b>3 mm</b>		

SF2Z|SKL 6-8



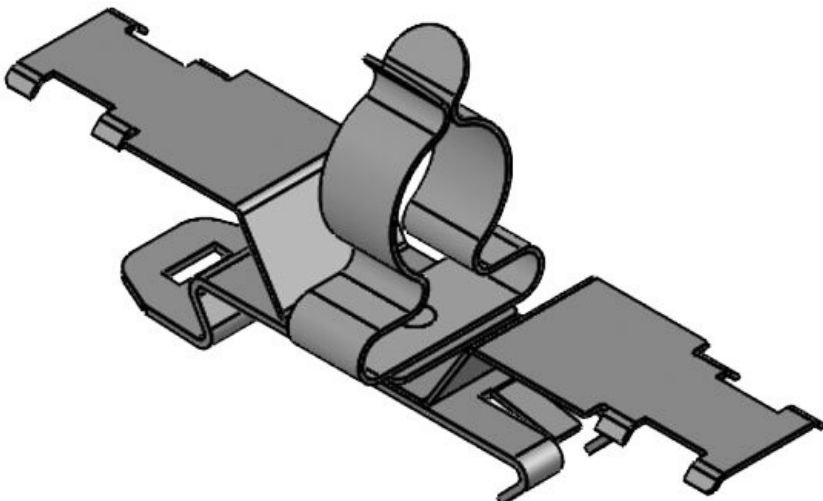
Part No.	<b>36860.150</b>	Max. shield diam.	<b>8 mm</b>
EAN	<b>4251269321</b>	Length	<b>54,5 mm</b>
	<b>184</b>	Width	<b>14 mm</b>
Package quantity	<b>10</b>	Height	<b>22,9 mm</b>
No. of shield clamps	<b>1</b>	Mounting height	<b>16 mm</b>
Strain relief (acc. to EN 62444)	<b>1</b>		
For max. no. of cables	<b>1</b>		
Min. shield diam.	<b>6 mm</b>		

SF2Z|SKL 8-11



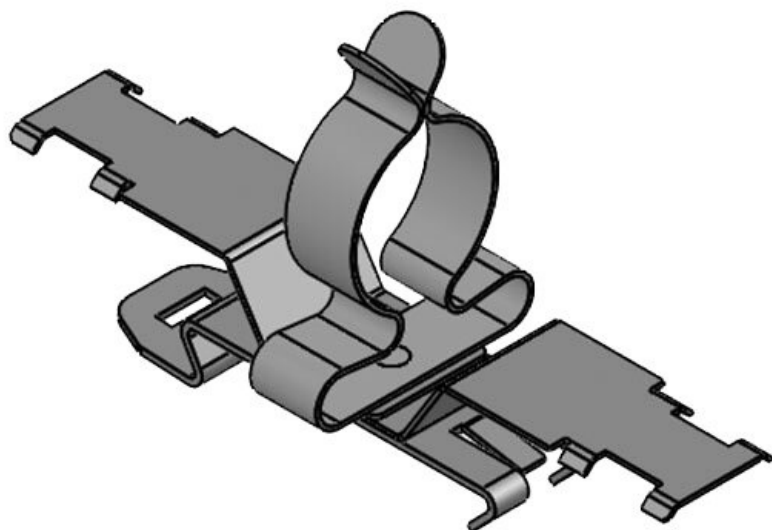
Part No.	<b>36865.150</b>	Max. shield diam.	<b>11 mm</b>
EAN	<b>4251269321</b>	Length	<b>54,5 mm</b>
	<b>191</b>	Width	<b>14 mm</b>
Package quantity	<b>10</b>	Height	<b>27,9 mm</b>
No. of shield clamps	<b>1</b>	Mounting height	<b>21 mm</b>
Strain relief (acc. to EN 62444)	<b>1</b>		
For max. no. of cables	<b>1</b>		
Min. shield diam.	<b>8 mm</b>		

SF2Z|SKL 11-17



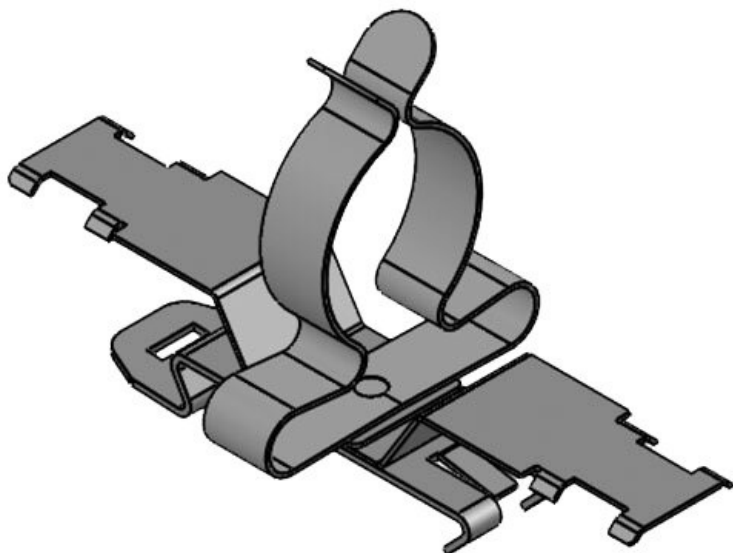
Part No.	<b>36870.150</b>	Max. shield diam.	<b>17 mm</b>
EAN	<b>4251269321</b>	Length	<b>80 mm</b>
	<b>207</b>	Width	<b>21 mm</b>
Package quantity	<b>10</b>	Height	<b>34,9 mm</b>
No. of shield clamps	<b>1</b>	Mounting height	<b>28 mm</b>
Strain relief (acc. to EN 62444)	<b>1</b>		
For max. no. of cables	<b>1</b>		
Min. shield diam.	<b>11 mm</b>		

SF2Z|SKL 17-22



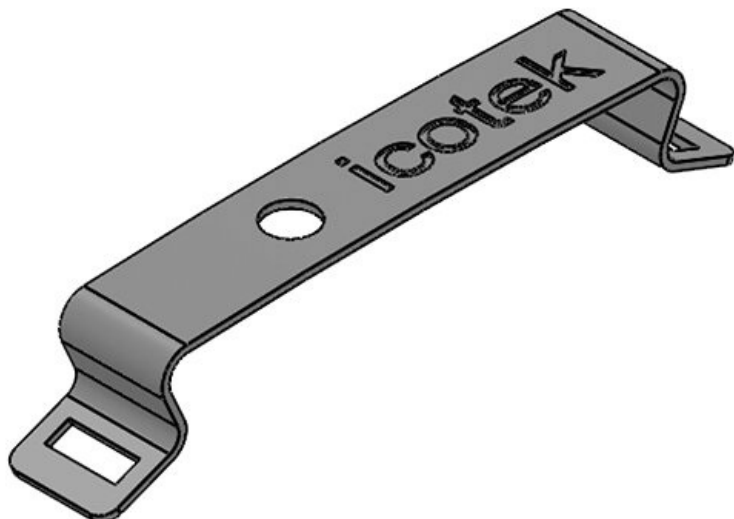
Part No.	<b>36875.150</b>	Max. shield diam.	<b>22 mm</b>
EAN	<b>4251269321</b>	Length	<b>80 mm</b>
Package quantity	<b>214</b>	Width	<b>26,5 mm</b>
No. of shield clamps	<b>1</b>	Height	<b>42,4 mm</b>
Strain relief (acc. to EN 62444)	<b>1</b>	Mounting height	<b>35,5 mm</b>
For max. no. of cables	<b>1</b>		
Min. shield diam.	<b>17 mm</b>		

SF2Z|SKL 22-30



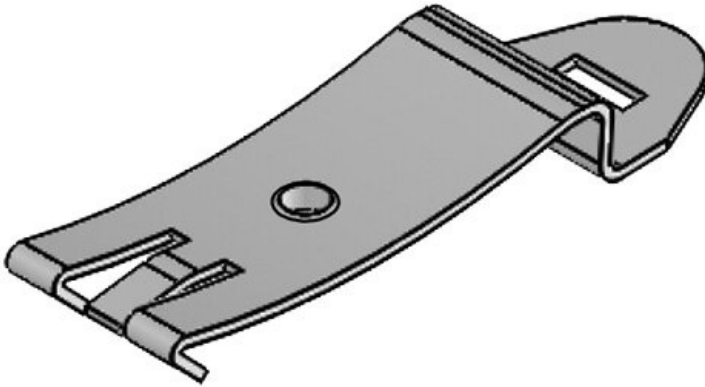
Part No.	<b>36880.150</b>	Max. shield diam.	<b>30 mm</b>
EAN	<b>4251269321</b>	Length	<b>80 mm</b>
Package quantity	<b>10</b>	Width	<b>35 mm</b>
No. of shield clamps	<b>1</b>	Height	<b>47 mm</b>
Strain relief (acc. to EN 62444)	<b>1</b>	Mounting height	<b>40,1 mm</b>
For max. no. of cables	<b>1</b>		
Min. shield diam.	<b>22 mm</b>		

SFS single M3



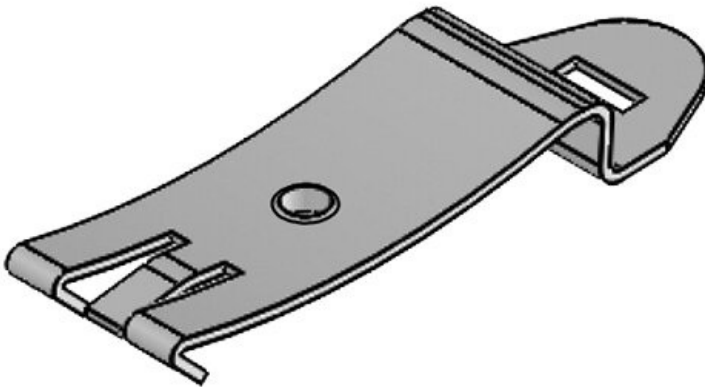
Part No.	<b>36229</b>	Diam. of screw holes	<b>3,2 mm</b>
EAN	<b>4251269302</b>		
Package quantity	<b>237</b>		
Length	<b>10</b>		
Width	<b>43,4 mm</b>		
Height	<b>7 mm</b>		
No. of screw holes	<b>8,5 mm</b>		
	<b>1</b>		

MF single M4



Part No. **36230** Diam. of screw **4,1 mm**  
EAN **4251269302** holes  
**244** Thread **M4**  
Package quantity **10**  
Length **50,3 mm**  
Width **14 mm**  
Height **6,8 mm**  
No. of screw holes **1**

MF single M5



Part No. **36221** Diam. of screw **5,1 mm**  
EAN **4251269319** holes  
**167** Thread **M5**  
Package quantity **10**  
Length **50,3 mm**  
Width **14 mm**  
Height **6,8 mm**  
No. of screw holes **1**